

## Krantz

Broad multiplex outlet BF-V....  
Accessory

**Air distribution systems**

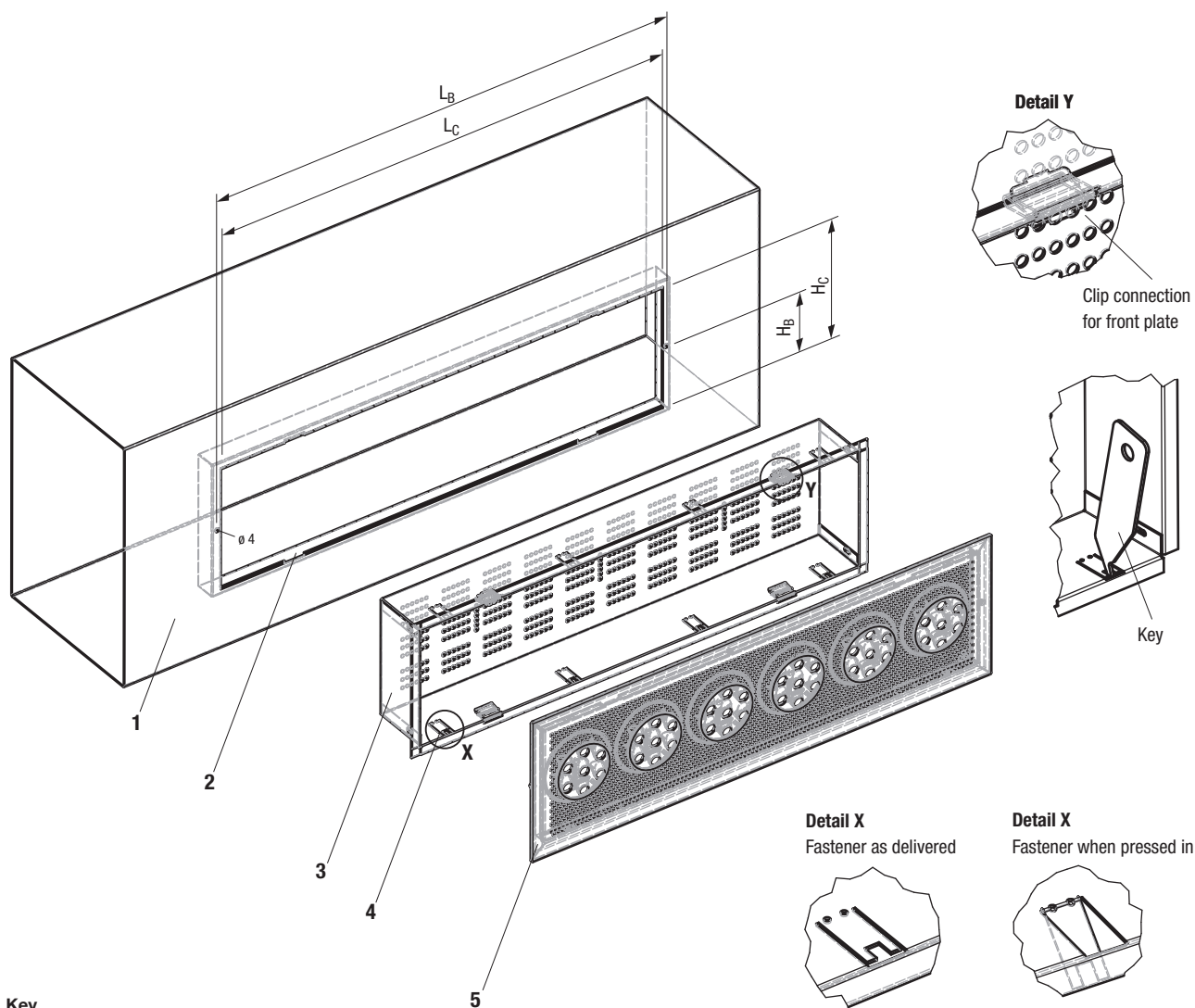
*Krantz*

# Frame for duct mounting

## Mounting instructions for broad multiplex outlet with frame for duct mounting

- 1 Make a cutout and boreholes in the duct wall (or check the existing cutout dimensions) according to Table on the right
- 2 Fasten the mounting frame to the duct wall from inside using 2 blind rivets  $\varnothing 3.2$
- 3 Insert the outlet housing into the mounting frame
- 4 Fasten the outlet housing to the mounting frame by pressing in the fasteners using the provided key (shown below) or another suitable tool
- 5 Fit the front plate onto the outlet housing

Nominal length	$L_C$	Duct cutout		Duct boreholes		
		1 row	2 rows	$L_B$	$H_B$	
600	557	152	244	566	76	122
800	737			746		
1,000	917			926		



- Key**
- 1 Air duct (by others)
  - 2 Frame for duct mounting
  - 3 Outlet housing
  - 4 Fastener
  - 5 Front plate



**Krantz GmbH**

Uersfeld 24, 52072 Aachen, Germany

Phone: +49 241 441-1

Fax: +49 241 441-555

info@krantz.de | www.krantz.de

The logo for Krantz GmbH, featuring the word "Krantz" in a stylized, blue, cursive script font.